

D-SERIES
DRM570024LT

Weidmüller Interface GmbH & Co. KG
 Klingenbergstraße 16
 D-32758 Detmold
 Germany
 Fon: +49 5231 14-0
 Fax: +49 5231 14-292083
 www.weidmueller.com



Relay from the D-SERIES DRM.

- 2 or 4 CO contacts
- Compact design
- Wide range of coil voltages
- Optional test button (AC red, DC blue)
- Optional with integrated status display (AC red, DC green)
and/or free-wheel diode

General ordering data

Type	DRM570024LT
Order No.	7760056097
Version	D-SERIES, Relais, No. of contacts: 4, CO contact with test button, AgNi 90/10, Rated control voltage: 24 V DC, Continuous current: 5 A, Plug-in connection
GTIN (EAN)	4032248855674
Qty.	20 pc(s).

**D-SERIES
DRM570024LT**

Weidmüller Interface GmbH & Co. KG
 Klingenbergstraße 16
 D-32758 Detmold
 Germany
 Fon: +49 5231 14-0
 Fax: +49 5231 14-292083
 www.weidmueller.com

Technical data
Dimensions and weights

Width	21.5 mm	Height	28 mm
Depth	36 mm	Net weight	37.35 g

Temperatures

Humidity	35...85 % rel. humidity, no condensation	Operating temperature	-40 °C...+60 °C
Storage temperature	-40 °C...+70 °C		

Input

Coil resistance	630 Ω ± 10 %	Rated control voltage	24 V DC
Rated current DC	36.9 mA	Power rating	0.9 W
Pull-inrop-out voltage, typ.	18 V / 2.4 V DC	Status indicator	Green LED

Output

Rated switching voltage	250 V AC	Max. switching voltage, AC	250 V
Continuous current	5 A	AC switching capacity (resistive), max.	1250 VA @ 250 V
DC switching capacity (resistive), max.	120 W @ 24 V	Switch-on delay	< 20 ms
Switch-off delay	< 20 ms	Min. switching power	12 V / 10 mA
Max. switching frequency at rated load	0.1 Hz		

Contact data

No. of contacts	4	Contact design	CO contact with test button
Contact material	AgNi 90/10	Mechanical service life	AC coil 10 x 10 ⁶ Switching cycles, DC coil 30 x 10 ⁶ Switching cycles
Contact resistance	≤ 50 mΩ		

General data

Test button	Yes	Wire connection method	Plug-in connection
Humidity	35...85 % rel. humidity, no condensation	UL 94 flammability rating	V-0

Insulation coordination

Rated voltage	250 V	Protection degree	IP 20
Pollution severity	3	Surge voltage category	III

Other technical data

Version	with LED, with test button	Status indicator	Green LED
---------	----------------------------	------------------	-----------

Further details of approvals / standards

Certificate No. (cURus)	E312083
-------------------------	---------

Connection data

Wire connection method	Plug-in connection
------------------------	--------------------

Data sheet**D-SERIES**
DRM570024LT**Weidmüller Interface GmbH & Co. KG**
Klingenbergstraße 16
D-32758 Detmold
Germany
Fon: +49 5231 14-0
Fax: +49 5231 14-292083
www.weidmueller.com**Technical data****Classifications**

eClass 6.2 27-37-16-01

Approvals

Approvals

**Downloads**Declaration of Conformity [K550_10_13.pdf](#)

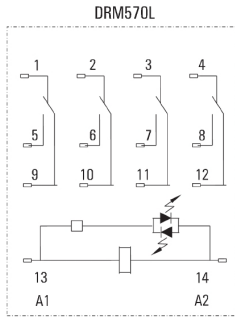
Data sheet

**D-SERIES
DRM570024LT**

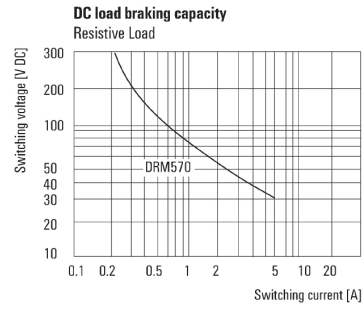
Weidmüller Interface GmbH & Co. KG
 Klingenbergstraße 16
 D-32758 Detmold
 Germany
 Fon: +49 5231 14-0
 Fax: +49 5231 14-292083
 www.weidmueller.com

Drawings

Wiring diagram

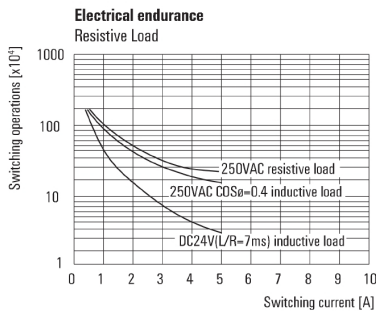


DC load limit curve

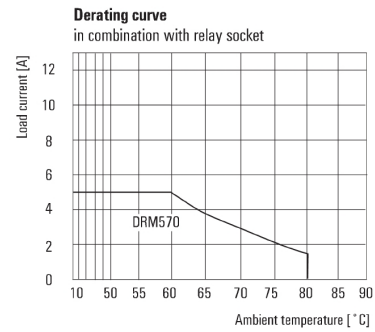


Resistive load

Electrical service life

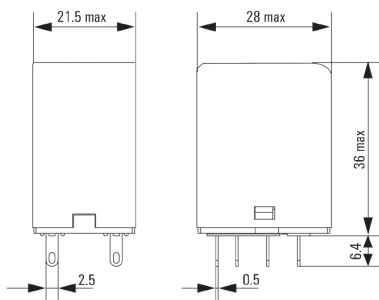


Derating curve



Relay in combination with base

Dimensioned drawing



Data sheet

**D-SERIES
DRM570024LT**

Weidmüller Interface GmbH & Co. KG
 Klingenbergstraße 16
 D-32758 Detmold
 Germany
 Fon: +49 5231 14-0
 Fax: +49 5231 14-292083
 www.weidmueller.com

Mating connector (fully pluggable)

Base



Accessories for D-SERIES relays include:

- Relay bases
- LED / Protective modules
- Metal retaining clips

General ordering data

Type	Order No.	Version	GTIN (EAN)	Qty.
SCM 4CO ECO	7760056264	D-SERIES, Relay base, Continuous current: 4 x 6 A, Screw connection	6944 169662973	10 pc(s).
FS 4CO	7760056107	D-SERIES, Relay base, Continuous current: 10 A, Screw connection	4032248855575	10 pc(s).

Data sheet

**D-SERIES
DRM570024LT**

Weidmüller Interface GmbH & Co. KG
 Klingenbergstraße 16
 D-32758 Detmold
 Germany
 Fon: +49 5231 14-0
 Fax: +49 5231 14-292083
 www.weidmueller.com

Drawings

Type codes

Type code		DRM					
Type	DRM						
Type of construction	570	4 change over contact					
Coil voltage	012	12 V DC	524	24 V AC			
	024	24 V DC	548	48 V AC			
	048	48 V DC	615	115 V AC			
	110	110 V DC	730	230 V AC			
	220	220 V DC					
LED	L (Red for AC coil; green for DC coil)						
Test lever	T (Red for AC coil; green for DC coil)						
Suppressor diode	D						